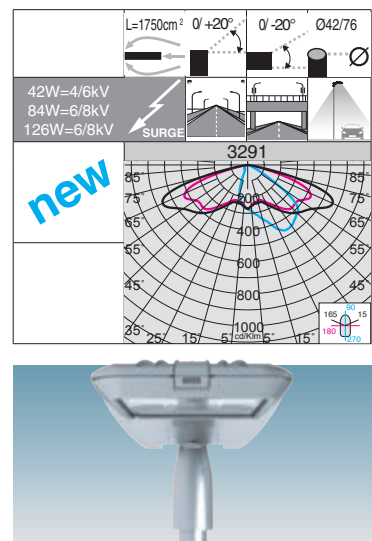
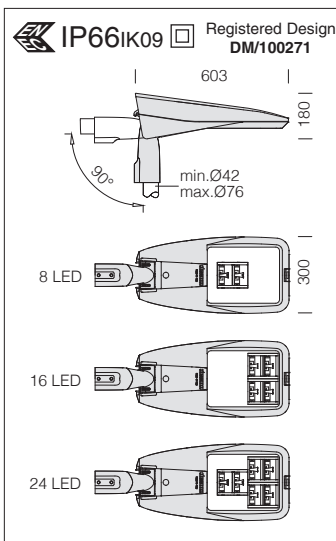


Optics: in aluminium coated with very high purity (99.99%) silver using physical vapour deposition (PVD).

LED: Power factor ≥ 0.92 .
Luminous flux maintenance 80%:
>100.000h (L80B10).

3290 Sella 1 - ST						
wattage (700mA)	colour	weight	CLD CELL		W tot	LUMEN OUTPUT (tq= 25 °C)
			code	K - ølm 700mA - CRI		
LED	grey	7.20	330603-00	42	4000K - 4888lm - CRI 70	
	graphite		330600-00			
LED	grey	7.20	330603-39	42	3000K - 4546lm - CRI 70	
	graphite		330600-39			
LED	grey	7.20	330604-00	84	4000K - 9777lm - CRI 70	
	graphite		330601-00			
LED	grey	7.20	330604-39	84	3000K - 9093lm - CRI 70	
	graphite		330601-39			
LED	grey	7.20	330605-00	126	4000K - 14567lm - CRI 70	
	graphite		330602-00			
LED	grey	7.20	330605-39	126	3000K - 13547lm - CRI 70	
	graphite		330602-39			

On request: possibility to control each individual light point (see table on p. 343).



Optics: in aluminium coated with very high purity (99.99%) silver using physical vapour deposition (PVD).

LED: Power factor ≥ 0.92 .
Luminous flux maintenance 80%:
>100.000h (L80B10).

3291 Sella 1 - STW						
wattage (700mA)	colour	weight	CLD CELL		W tot	LUMEN OUTPUT (tq= 25 °C)
			code	K - ølm 700mA - CRI		
LED	grey	7.20	330613-00	42	4000K - 4887lm - CRI 70	
	graphite		330610-00			
LED	grey	7.20	330613-39	42	3000K - 4545lm - CRI 70	
	graphite		330610-39			
LED	grey	7.20	330614-00	84	4000K - 9710lm - CRI 70	
	graphite		330611-00			
LED	grey	7.20	330614-39	84	3000K - 9030lm - CRI 70	
	graphite		330611-39			
LED	grey	7.20	330615-00	126	4000K - 14539lm - CRI 70	
	graphite		330612-00			
LED	grey	7.20	330615-39	126	3000K - 13521lm - CRI 70	
	graphite		330612-39			

On request: possibility to control each individual light point (see table on p. 343).

