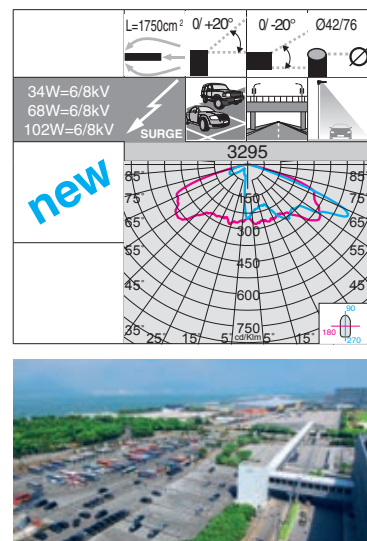
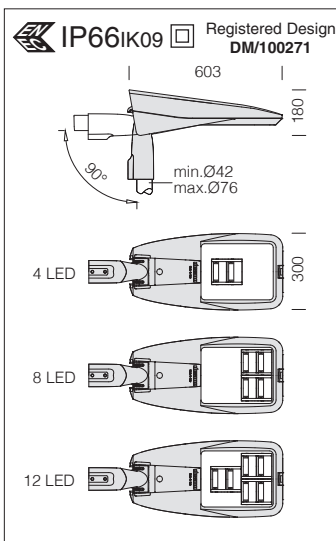


**Optics:** in aluminium coated with very high purity (99.99%) silver using physical vapour deposition (PVD).

**LED:** Power factor  $\geq 0.92$ .  
Luminous flux maintenance 80%: 80.000h (L80B10).

3294 Sella 1 - cycleways						
		CLD CELL		W tot	LUMEN OUTPUT (tq= 25 °C)	
wattage (700mA)	colour	weight	code		K - ølm 700mA - CRI	
LED	grey	7.20	330702-00	34	4000K - 3011lm - CRI 70	
	graphite		330700-00			
LED	grey	7.20	330702-39	34	3000K - 2800lm - CRI 70	
	graphite		330700-39			
LED	grey	7.20	330703-00	68	4000K - 6015lm - CRI 70	
	graphite		330701-00			
LED	grey	7.20	330703-39	68	3000K - 5594lm - CRI 70	
	graphite		330701-39			

**On request:** possibility to control each individual light point (see table on p. 343).



**Optics:** in aluminium coated with very high purity (99.99%) silver using physical vapour deposition (PVD).

**LED:** Power factor  $\geq 0.92$ .  
Luminous flux maintenance 80%: 80.000h (L80B10).

3295 Sella 1 - large areas						
		CLD CELL		W tot	LUMEN OUTPUT (tq= 25 °C)	
wattage (700mA)	colour	weight	code		K - ølm 700mA - CRI	
LED	grey	7.20	330724-00	34	4000K - 2862lm - CRI 70	
	graphite		330720-00			
LED	grey	7.20	330724-39	34	3000K - 2662lm - CRI 70	
	graphite		330720-39			
LED	grey	7.20	330725-00	68	4000K - 5725lm - CRI 70	
	graphite		330721-00			
LED	grey	7.20	330725-39	68	3000K - 5324lm - CRI 70	
	graphite		330721-39			
LED	grey	7.20	330726-00	102	4000K - 8587lm - CRI 70	
	graphite		330722-00			
LED	grey	7.20	330726-39	102	3000K - 7986lm - CRI 70	
	graphite		330722-39			

**On request:** possibility to control each individual light point (see table on p. 343).

