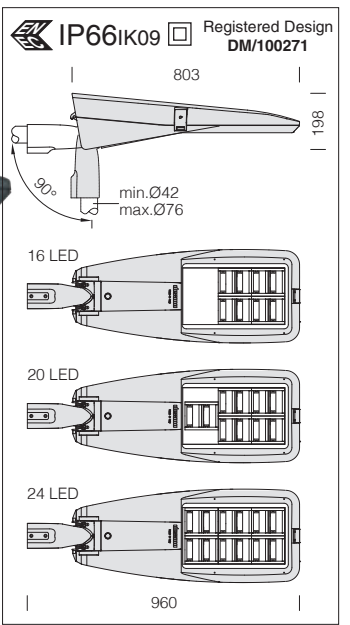
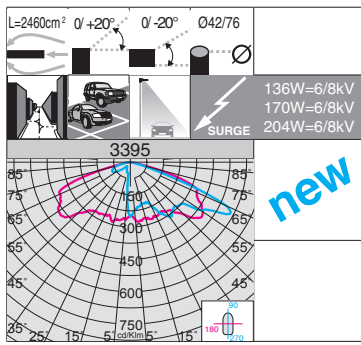




- 
- 
- 
- 
- 
- 
- 
- 
- 
- 



3395 Sella 2 - large areas					
wattage (700mA)	colour	CLD CELL		W tot	LUMEN OUTPUT (tq= 25 °C)
		weight	code		K - ø1m 700mA - CRI
LED	grey	11.00	330824-00	136	4000K - 11450lm - CRI 70
	graphite		330820-00		
LED	grey	11.00	330824-39	136	3000K - 10649lm - CRI 70
	graphite		330820-39		
LED	grey	11.00	330825-00	170	4000K - 14312lm - CRI 70
	graphite		330821-00		
LED	grey	11.00	330825-39	170	3000K - 13310lm - CRI 70
	graphite		330821-39		
LED	grey	11.00	330826-00	204	4000K - 17175lm - CRI 70
	graphite		330822-00		
LED	grey	11.00	330826-39	204	3000K - 15973lm - CRI 70
	graphite		330822-39		

On request: possibility to control each individual light point (see table on p. 343).

**Optics:** in aluminium coated with very high purity (99.99%) silver using physical vapour deposition (PVD).

**LED:** Power factor ≥0.92. Luminous flux maintenance 80%: >100.000h (L80B10).